

R3G175 Series

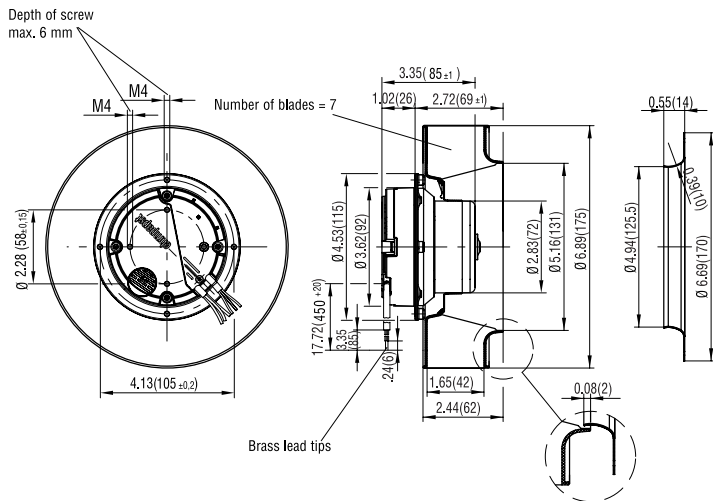
Motorized Impeller



Ø 175mm Backward Curved, EC-i

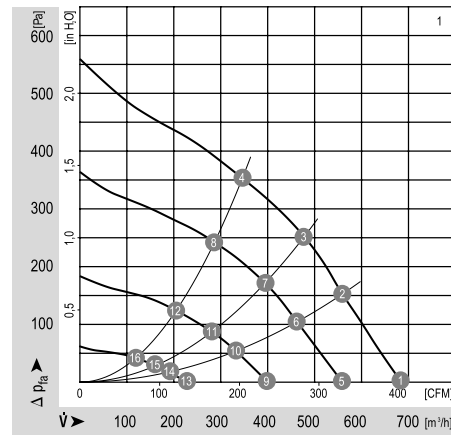
- Backward curved centrifugal fan features integrated electronics, extremely low noise and minimal heat generation.
- Variable mounting position.
- Impeller completely made of plastic PA 6.6.
- Maintenance-free ball bearings.
- IP 44 protection type.
- Cable exit: variable.
- Technical features: integrated electronics, PWM/Lin input, speed output.
- UL and CSA in preparation.
- Recommended inlet ring: 9576-2-4013.

Part Number	Curve	CFM @ 0	VAC	Hertz	Power (W)	dB(A)	Max Amb. Temp C	Bearing Type	Features	Speed (RPM)	Weight (lbs)
R3G175-AF01-02	1	403.2	230	50/60	67	72	60	Ball	Leads	3900	2.65



	n [RPM]	P _i [W]	η _{LL} [%]	Lp _A [dBA]		n [RPM]	P _i [W]	η _{LL} [%]	Lp _A [dBA]
1 1	3900	67	—	72	1 9	2270	17	—	59
1 2	3770	78	45	67	1 10	2240	20	38	54
1 3	3770	78	57	66	1 11	2240	20	51	50
1 4	3750	79	52	65	1 12	2240	21	50	50
1 5	3180	38	—	65	1 13	1310	6	—	45
1 6	3110	45	39	61	1 14	1300	7	40	40
1 7	3120	46	53	58	1 15	1290	7	53	37
1 8	3110	47	51	56	1 16	1290	7	54	35

Curve



e-mail: sales@us.ebmpapst.com · TEL: 860-674-1515 · FAX: 860-674-8536

ebm-papst Inc., 100 Hyde Road, Farmington, CT 06034 USA

ebm-papst Inc., 2006 © ebm-papst Inc. reserves the right to change any specifications or data without notice